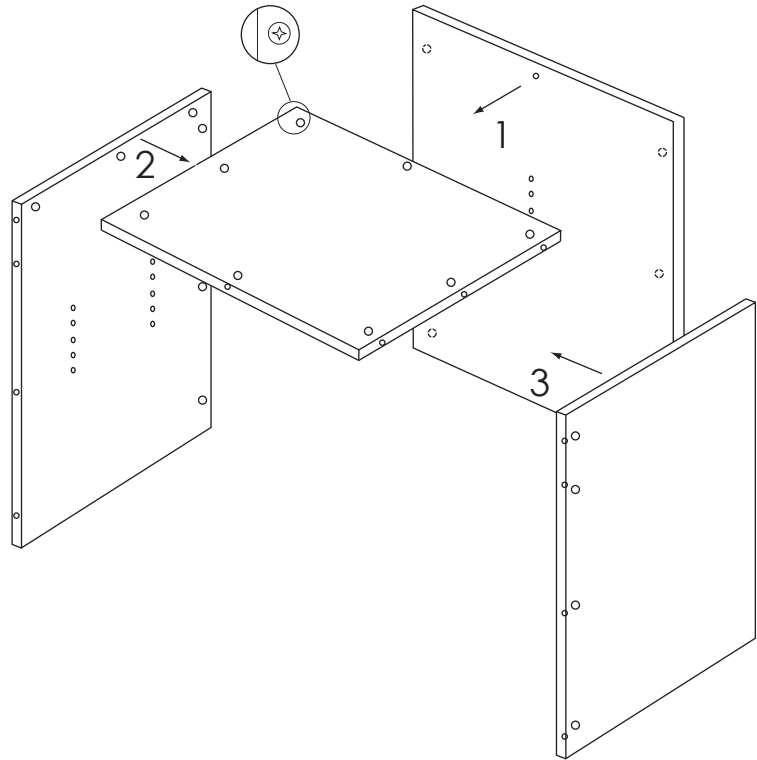


APPLIANCE UNIT (With Tambour Door)

APPLIANCE UNIT ASSEMBLY

1. Join Top to Back
2. Join Left Side
3. Join Right Side



IMPORTANT

INSTALL TAMBOURTECH DOOR BEFORE ATTACHING THE
TOP AND SIDE FASCIAS
(Instruction sheet with Tambour Door)

1. Join Top Fascia
2. Join Side Fascias

