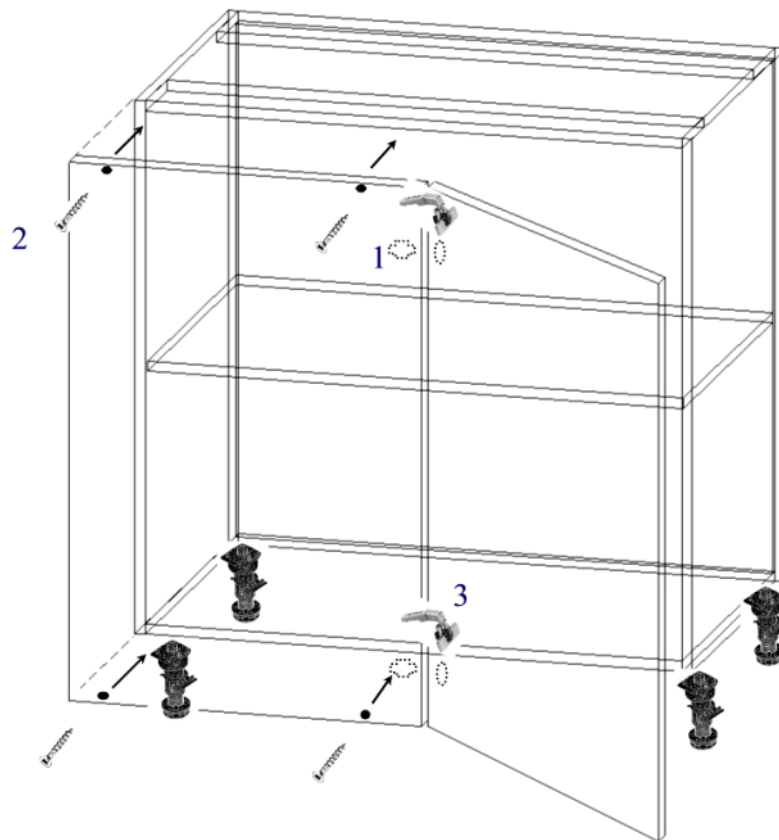


## **BLIND CORNER UNIT INSTRUCTION**



Start with a standard base or top unit (follow instructions supplied with the unit. Having finished this, then:

1. Fit the hinge plates to the blind panel. (Disregard hinge Holes)
2. Screw the blind panel to the cabinet so that the depth of the butting unit hides the screws.
3. Hang the door using blind corner hinges supplied .

### **HARDWARE SUPPLIED**

-Bag including

- 1 Pair blind corner Hinges
- 4 x 35mm Chipboard Screws