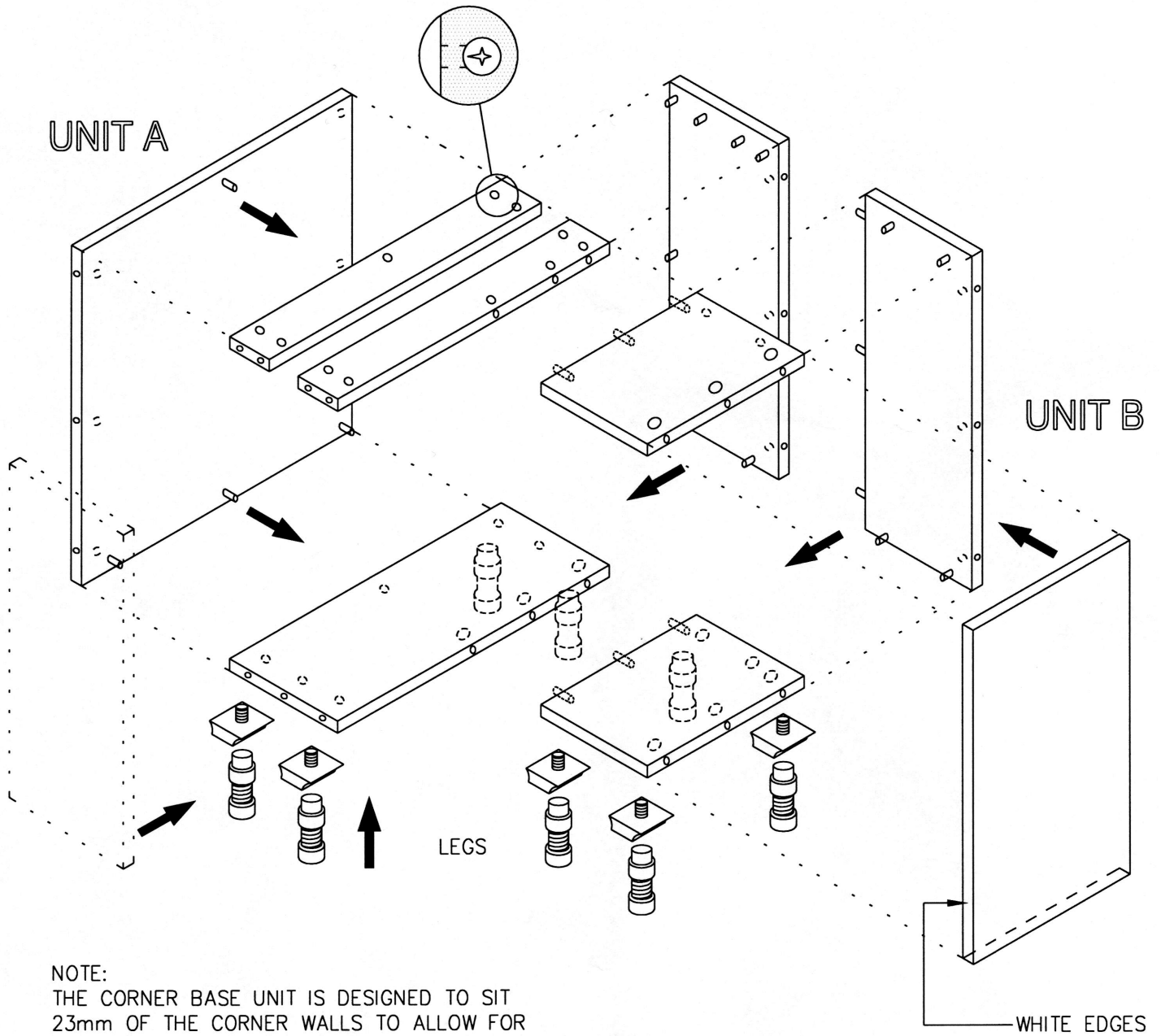


# FLOOR CORNER UNIT



NOTE:  
THE CORNER BASE UNIT IS DESIGNED TO SIT  
23mm OF THE CORNER WALLS TO ALLOW FOR  
OUT OF SQUARE WALLS

- ① JOIN BASE, TOP RAILS AND BACK TO SIDE OF 'A'
- ② FIT OTHER SIDE OF 'A'
- ③ FIT BASE TOP AND BACK TO SIDE OF 'B'
- ④ JOIN UNIT A & B WITH CAM & DOWELS  
IN BASES, TOPS AND SIDE WITH BACK
- ⑤ JOIN SHELF AND INSERT INTO CABINET  
ON SHELF SUPPORTS
- ⑥ FIT LEGS