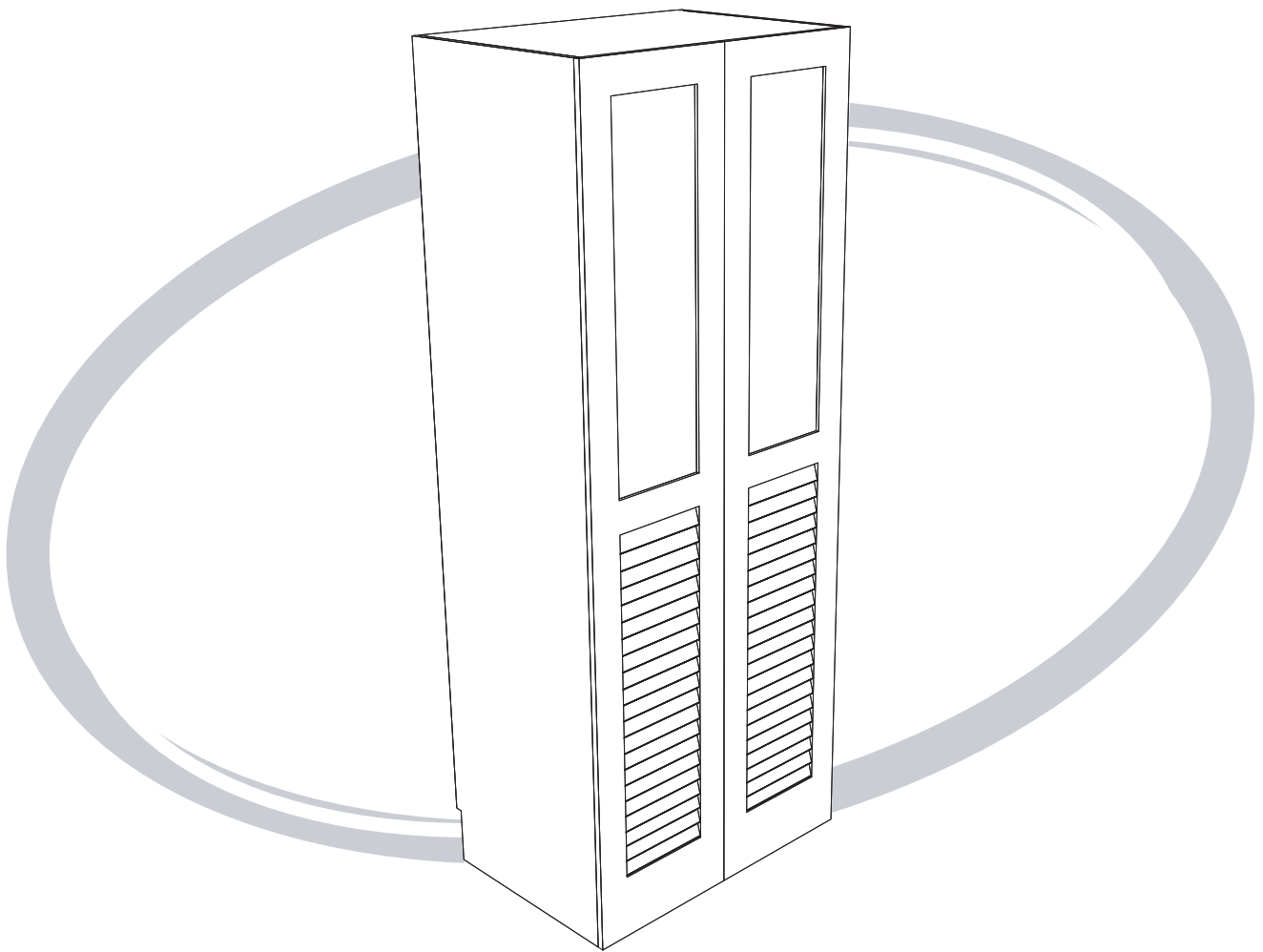


# MODULA

## WARDROBE SYSTEM



Thank you for choosing SmartPack.

For any further advice, comments or suggestions,  
please contact your local distributor.

Individual unit assembly drawings and further  
information can be obtained from our web site

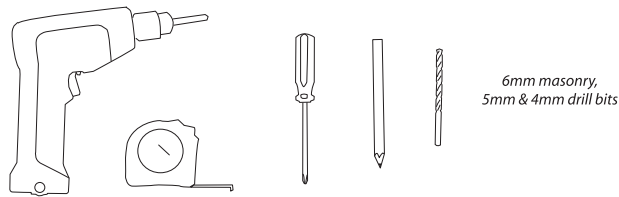
We assure you that you will be as proud of the end  
product as we have been to supply it to you.

**SmartPack**  
*oo you've got it made...*

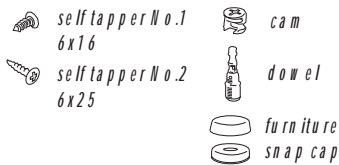
[www.smartpackkit.com.au](http://www.smartpackkit.com.au)

# A

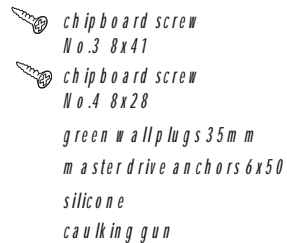
you will need the following....



we supply the following fixings....

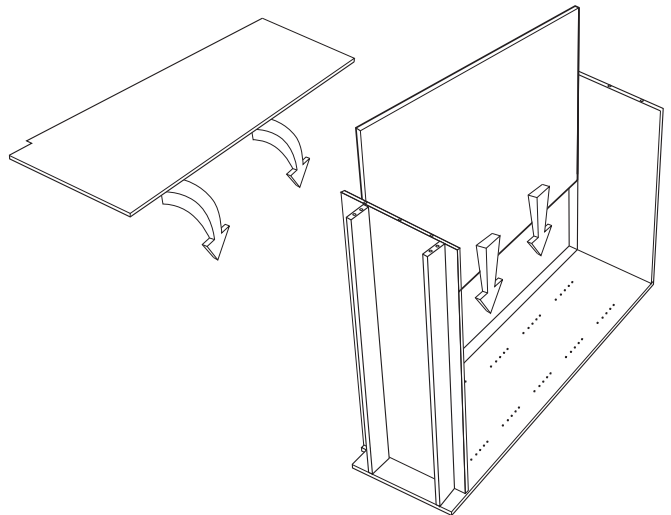


supplied with optional installation kit



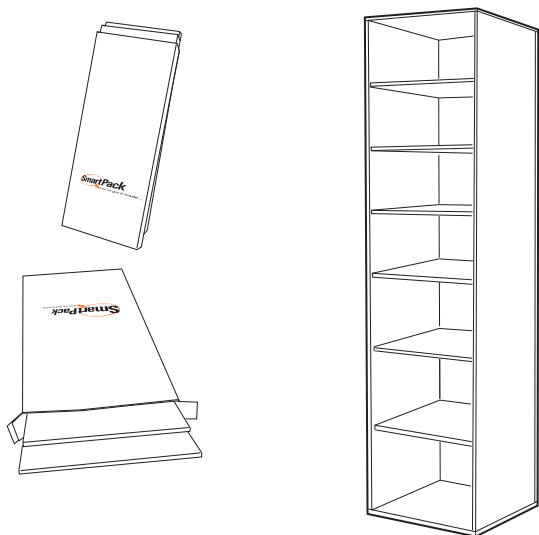
# 1

Construct unit with side to the floor, fix both top and base panels and kickboard, slide the back in then fix rails into place. Fix other side on top. If division panels and shelves are provided, fix these at this stage.



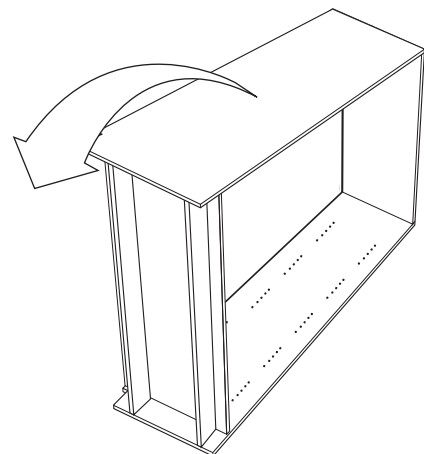
# B

unpack and assemble units one at a time, on their side, stacking them away from the immediate work area.



# 2

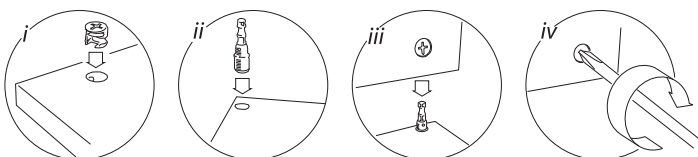
Once units are assembled raise upright and position in desired location



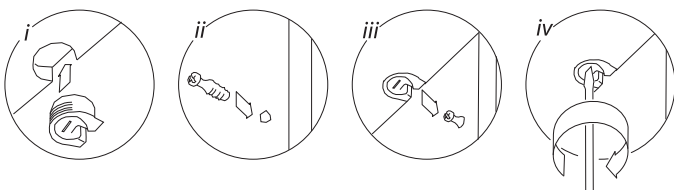
# C

each unit will be assembled in the same manner

cam and dowel (unit assembly)

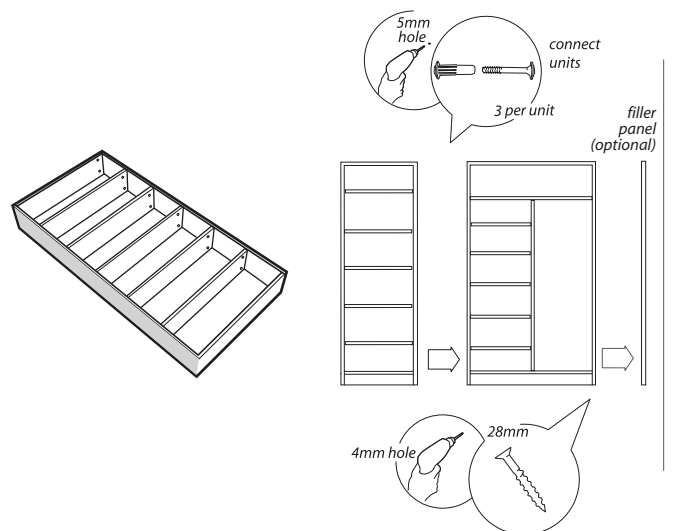


camfix (fixed shelves)

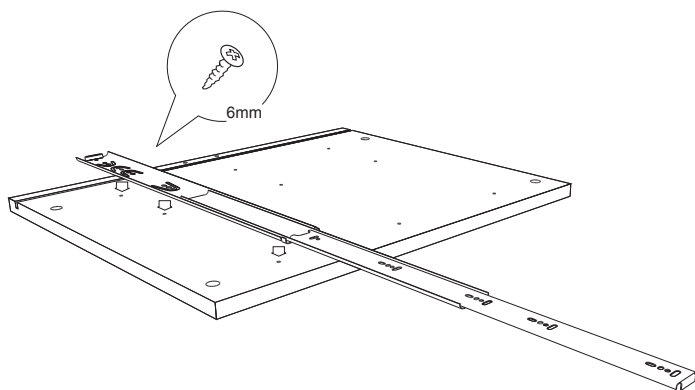


# 3

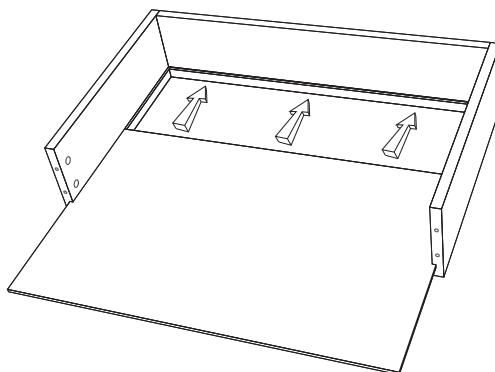
Position units and panels as according to your layout planner, screw in filler panels through inside of adjoining cabinet. Join together with cabinet joiners



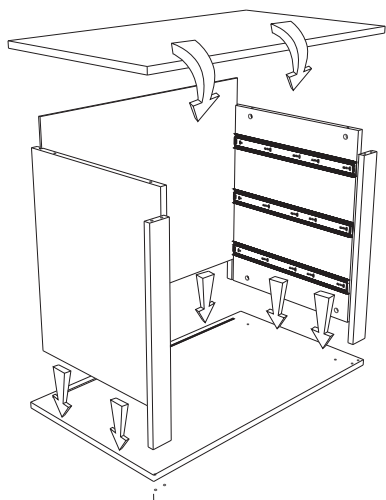
- 4** First hammer nylon plugs into holes to suit self tapper screw  
 Extend the runners to reveal the pre-drilled holes  
 Fix with self tapping screws provided



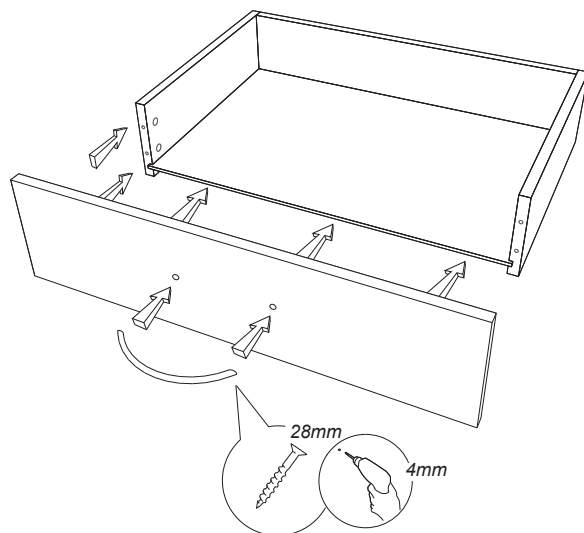
- 7** Slide in drawer bottom between the grooves



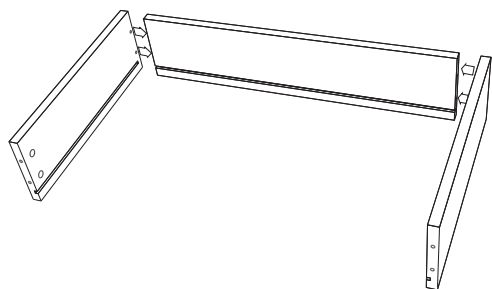
- 5** First fix sides to back rail. Fix to sides and fascia panels to base.  
 Then slide in back and fix top to unit.



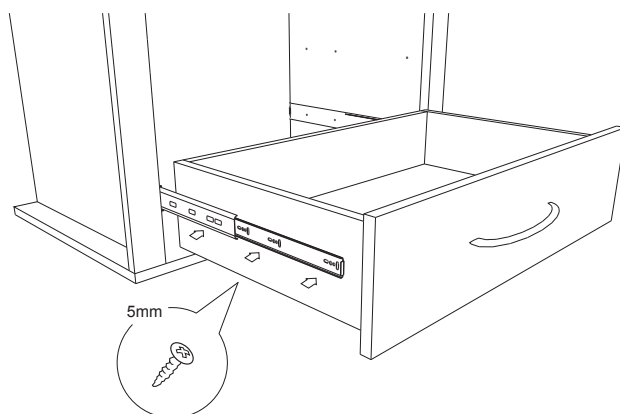
- 8** Fix drawer front to unit and then the handle



- 6** Begin the drawers by fixing both the drawer back and sides together

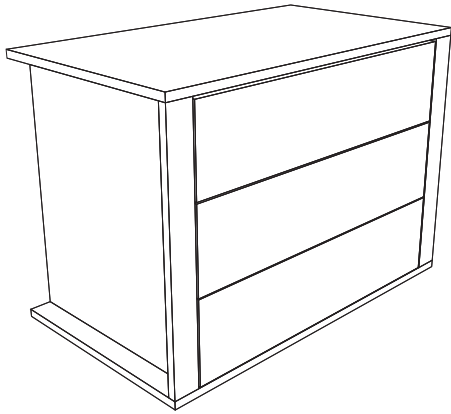


- 9** Position complete drawer between extended runners and fix via the front hole first then rear holes on each runner using 6mm self tapper screws. Rest the drawer on a platform for support



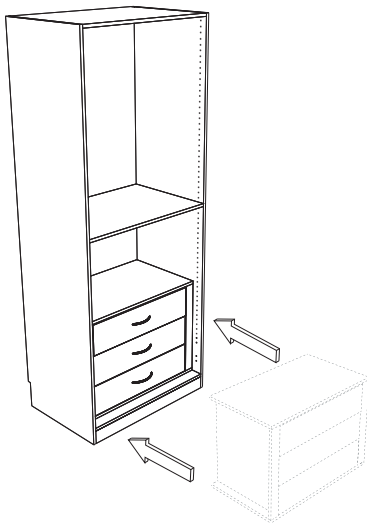
# 10

Repeat process for remaining drawers



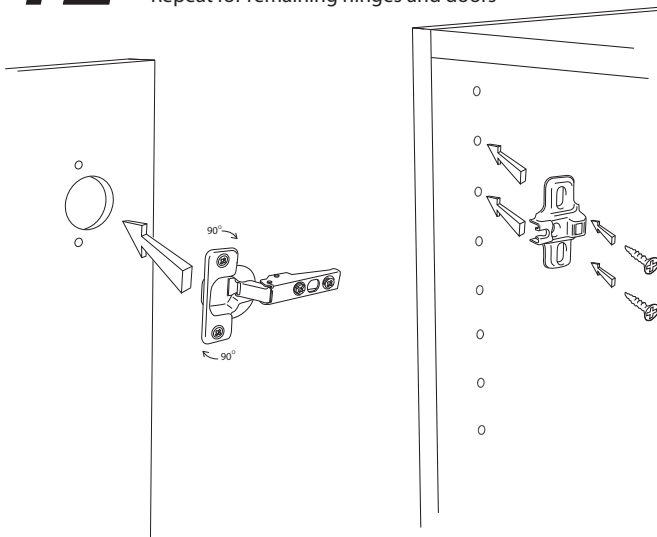
# 11

Slide in completed drawer box into wardrobe unit.  
Refer to layout for appropriate unit



# 12

Attach hinges to doors and hinge plate to cabinet  
using the 5mm screws provided  
Repeat for remaining hinges and doors



# 13

And there you have it, your completed wardrobe  
Repeat same methods for all other configurations

