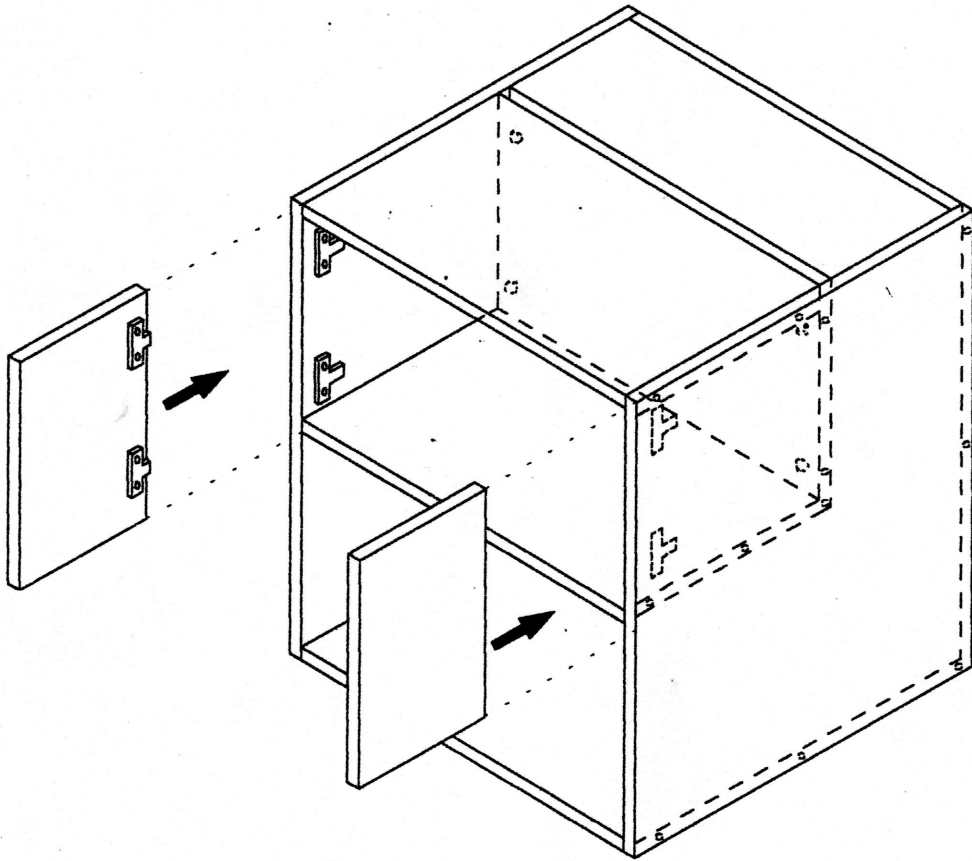


MICROWAVE WALL UNIT



- ① JOIN BOTTOM TO LEFT SIDE
- ② JOIN FIXED SHELF TO LEFT SIDE
- ③ JOIN TOP TO LEFT SIDE
- ④ JOIN OUTER BACK TO LEFT SIDE
- ⑤ JOIN INNER BACK TO LEFT SIDE
- ⑥ FIT RIGHT SIDE
- ⑦ FIT HINGE PLATE TO CABINET AND DOORS
- ⑧ USE MASTERDRIVES TO SECURE UNIT TO WALL