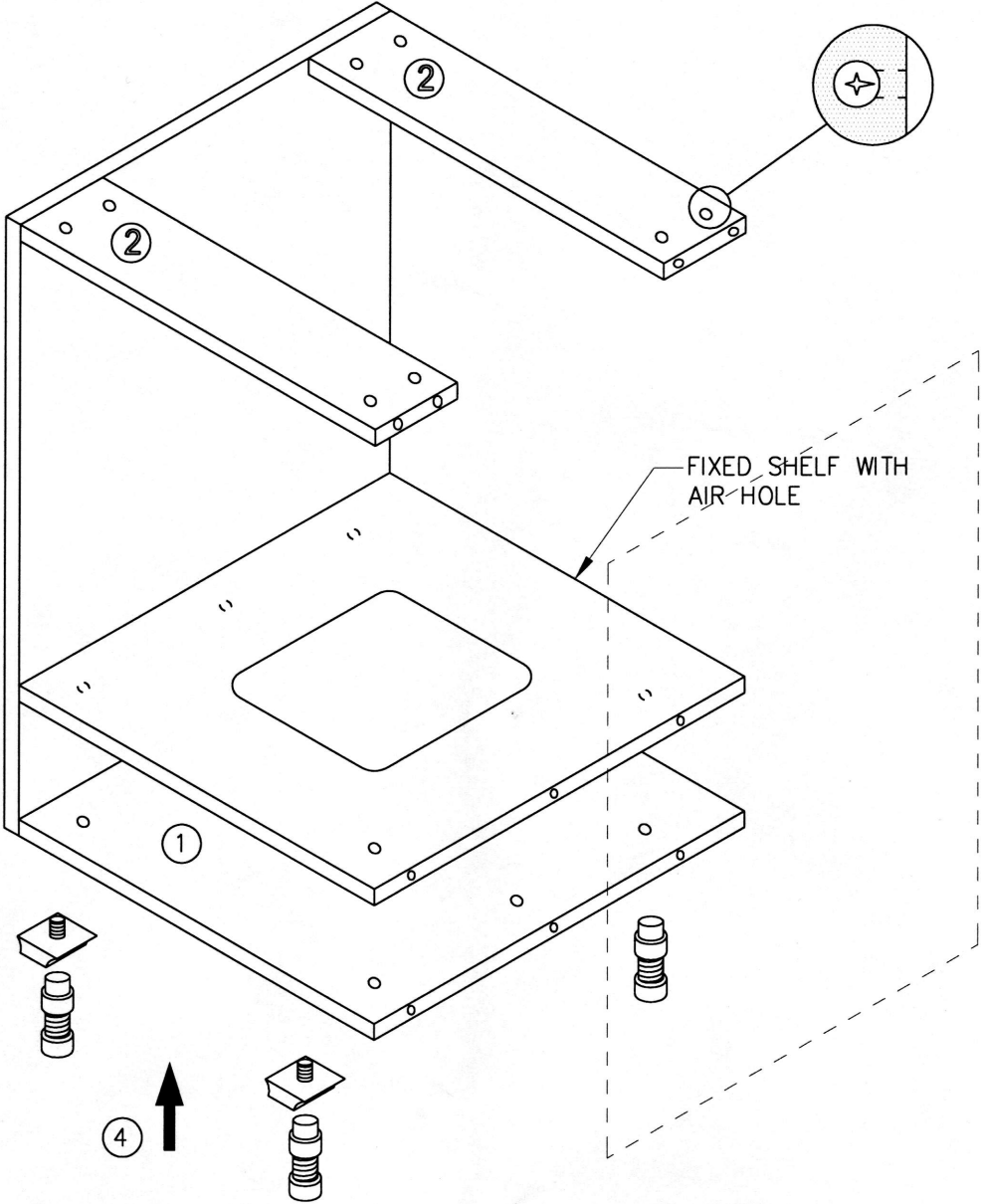


UNDER BENCH OVEN



- ① ATTACH BASE TO LEFT SIDE
- ② ATTACH TOP RAILS TO LEFT SIDE
- ③ FIT RIGHT SIDE
- ④ FIT BASE LEGS

NOTE: 1 USUAL OVEN INSTALLATION REQUIRES SOLID BATTONS TO SIT UNDER OVEN. REFER MANUFACTURERS INSTALLATION INSTRUCTIONS FOR DETAILS

2. NO BACK IN THIS UNIT TO ALLOW FOR OVEN DEPTH