

HOME OFFICE

SmartPack

you've got it made...

Thank you for choosing SmartPack.

For any further advice, comments or suggestions, please contact your local distributor.

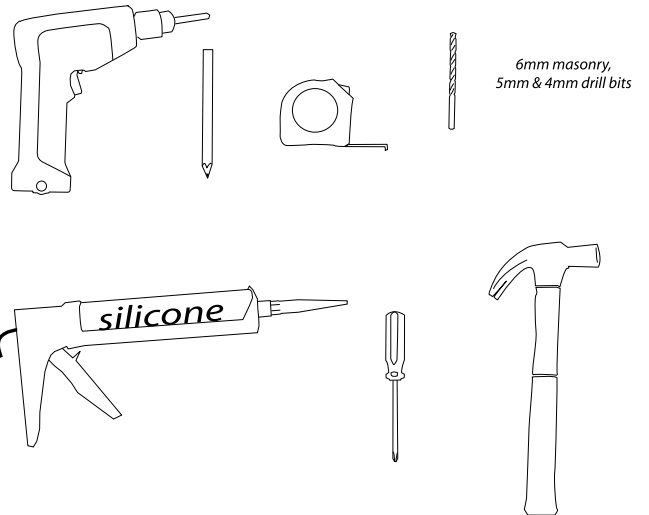
Individual unit assembly drawings and further information can be obtained from our web site

www.smartpackkit.com.au

We assure you that you will be as proud of the end product as we have been to supply it to you.

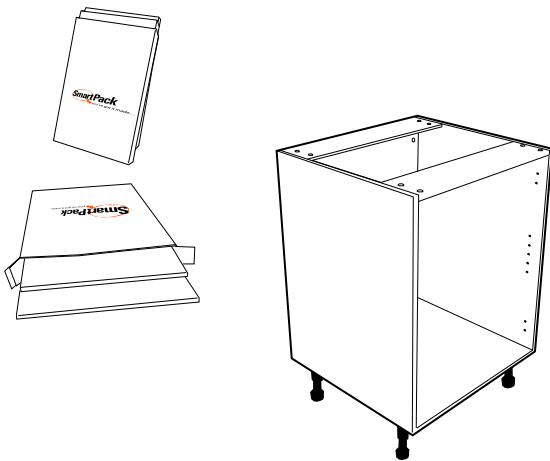
1

you will need the following...



2

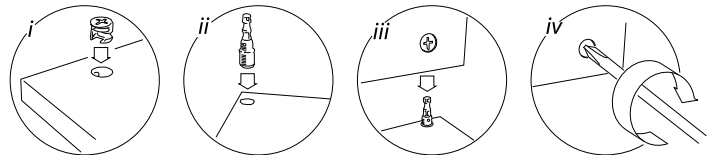
unpack and assemble units one at a time, on their side, stacking them away from the immediate work area.



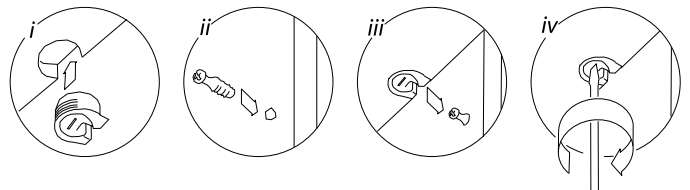
3

each unit will be assembled in the same manner

cam and dowel

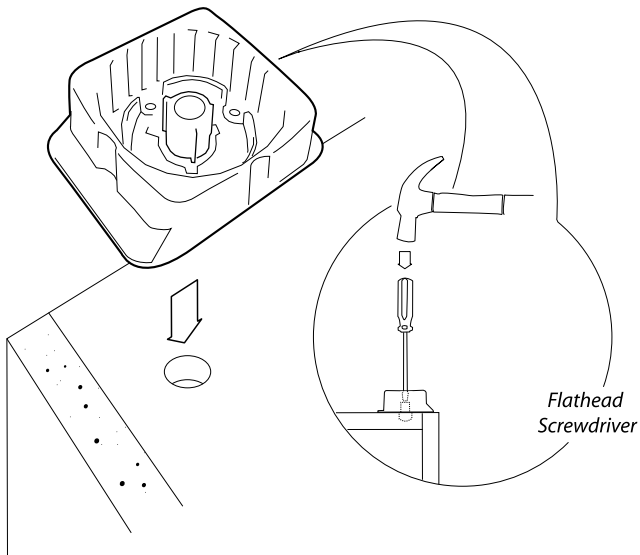


camfix



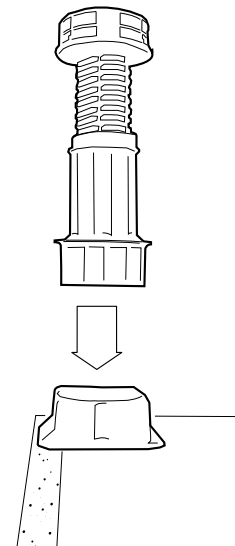
4

"knock" the rivet into the leg base

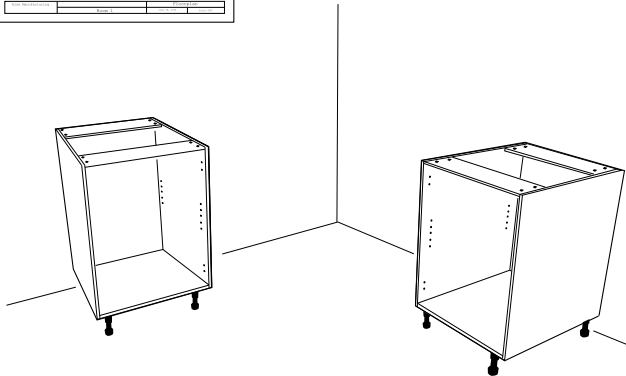
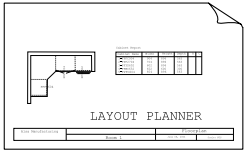


5

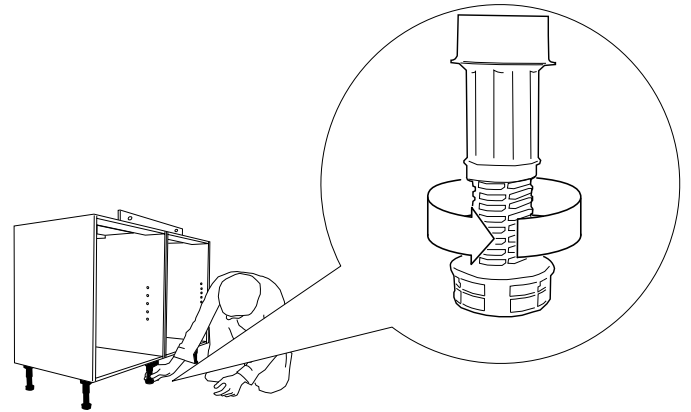
position leg



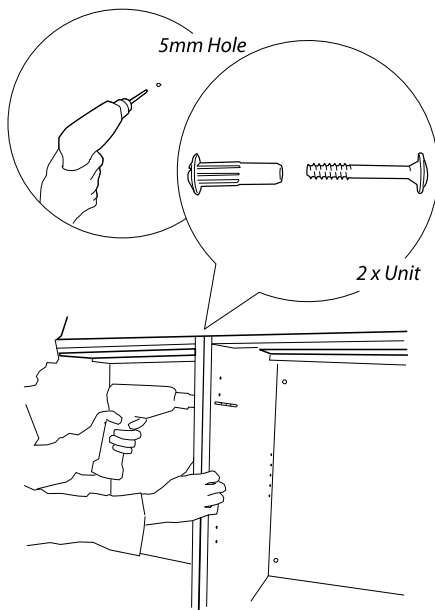
6 place units according to layout planner noting that corner floor and pantry units are to be 23mm of the wall



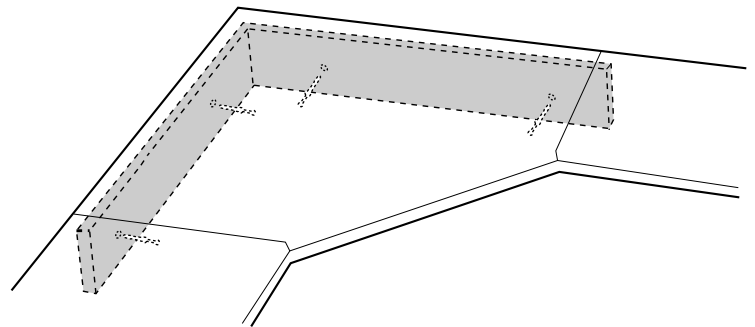
7 adjust legs using a level ensuring that the largest space between the floor and the bottom of the cupboards is no more than 100mm



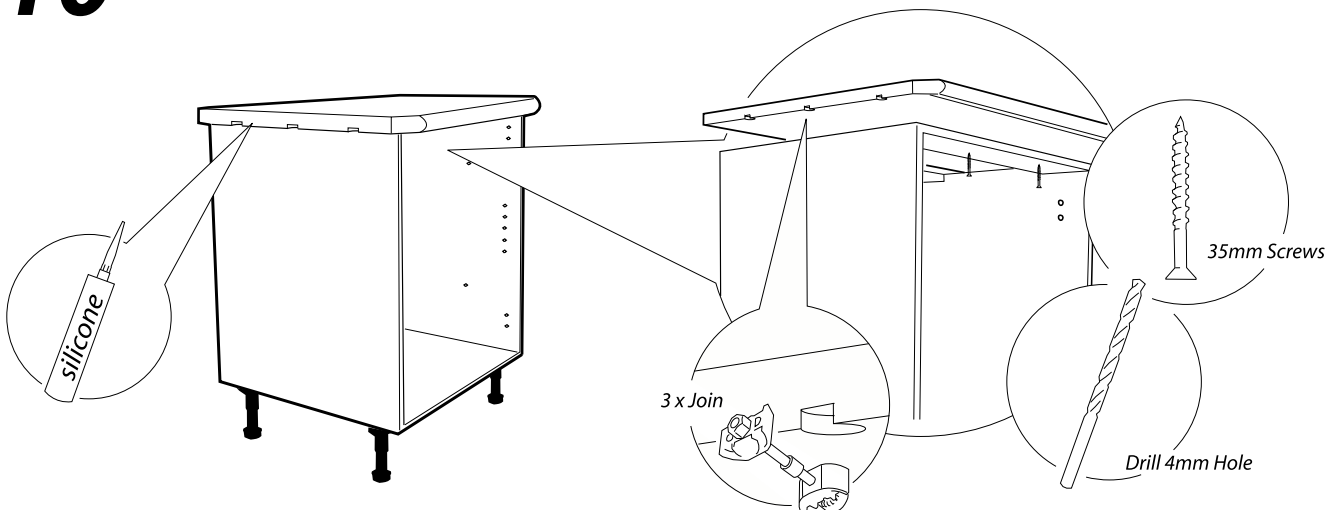
8 connect cabinets using the provided joiners



9 for longer lengths of unsupported and corner benchtops it is recommended that you use a small rail or panel fixed to the wall.

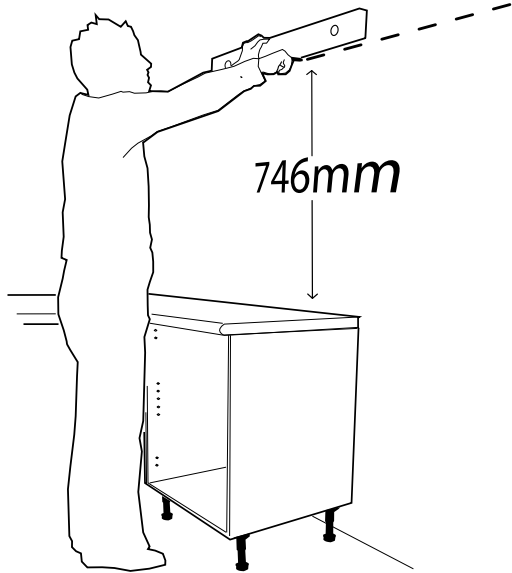


10 connect benchtop joins with provided joiners and silicone and fasten benchtop to the floor units



11

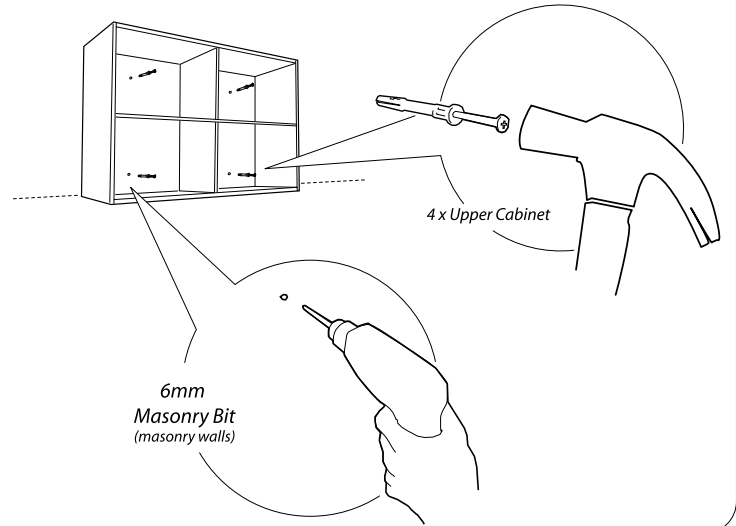
mark line for upper cabinets



12

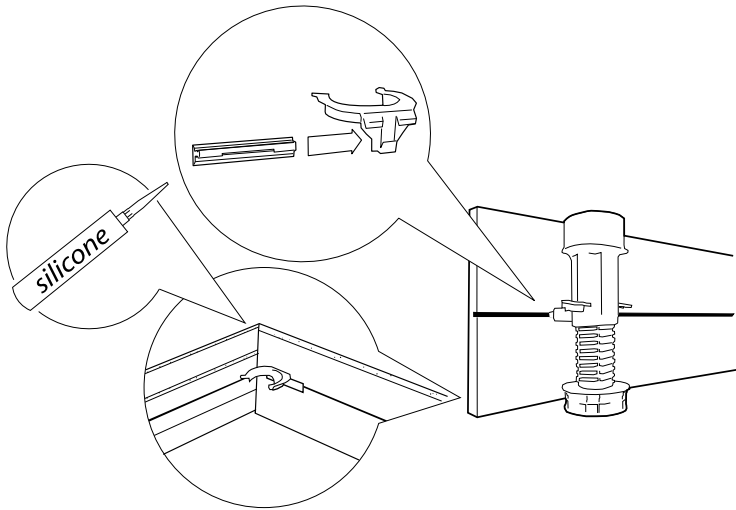
for masonry walls- secure upper cabinets to walls using master drives provided.

for hollow walls- you will need to screw into studs or use hollow wall anchors (purchased separately).



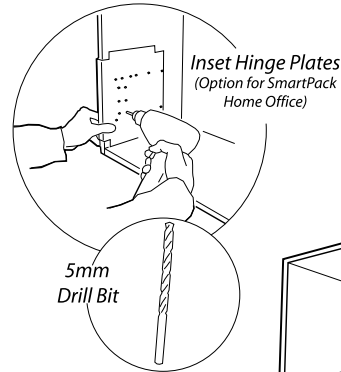
13

cut kickboards to size and scribe to the floor where necessary. Stick self adhesive cover before clipping kickboards onto legs, then attach side kickboards with silicone. Where kickboard covers are not required, mitre the kickboards at 45°



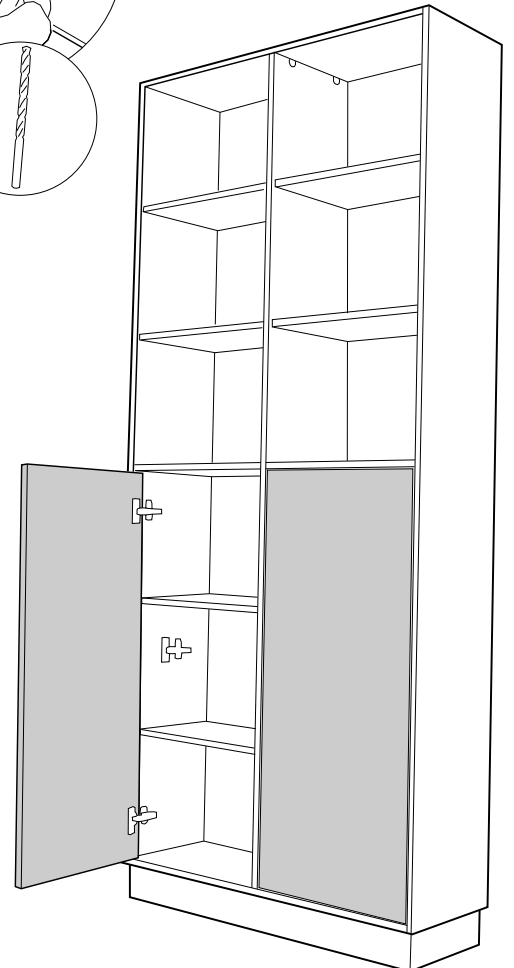
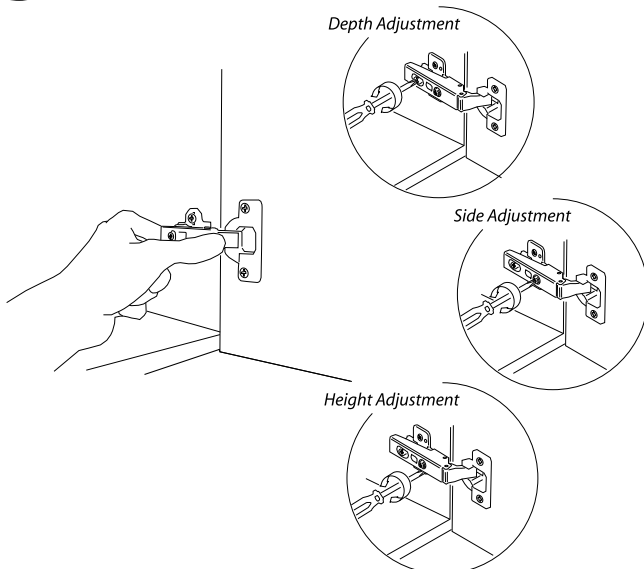
14

use the supplied drilling jig to place inset hinge plates as required (doors are optional and are not supplied with standard unit)



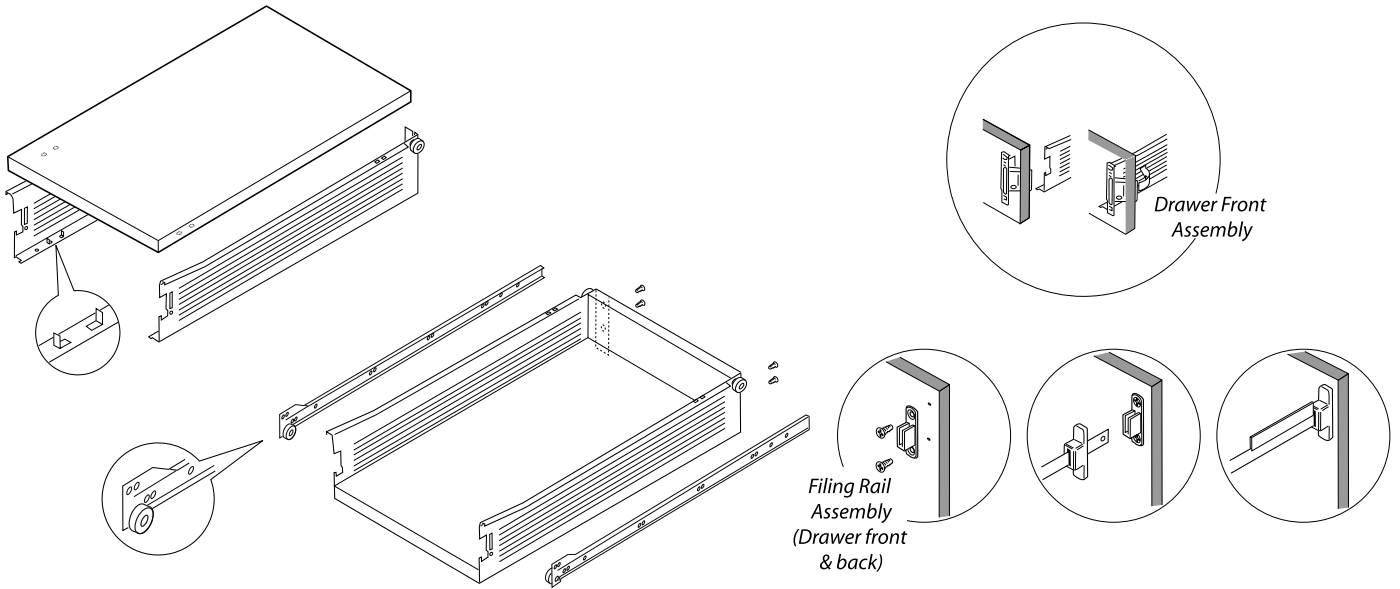
15

hang doors and adjust hinges using the following methods



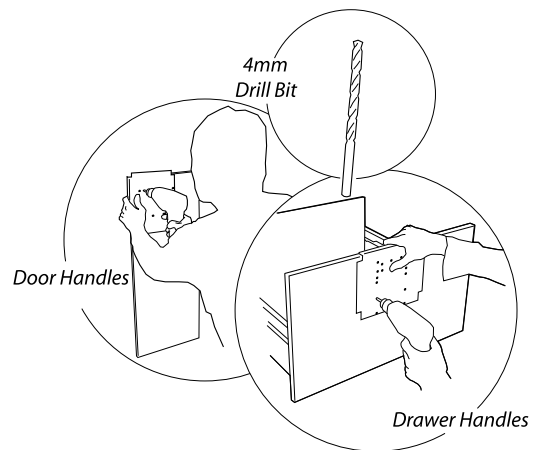
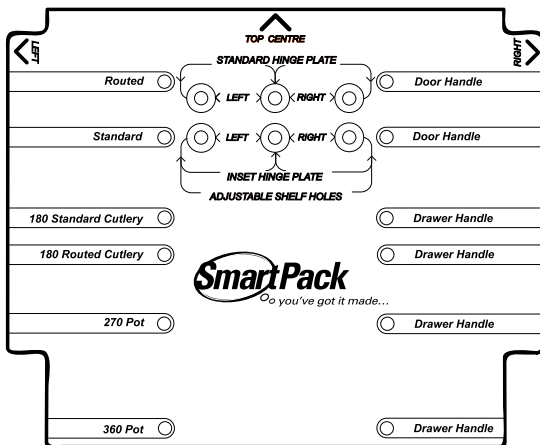
16

assemble metal sided drawers and fit drawer fronts to manufacturers instructions keeping in mind that top drawers have 86mm high sides and filing drawers have 118mm high sides



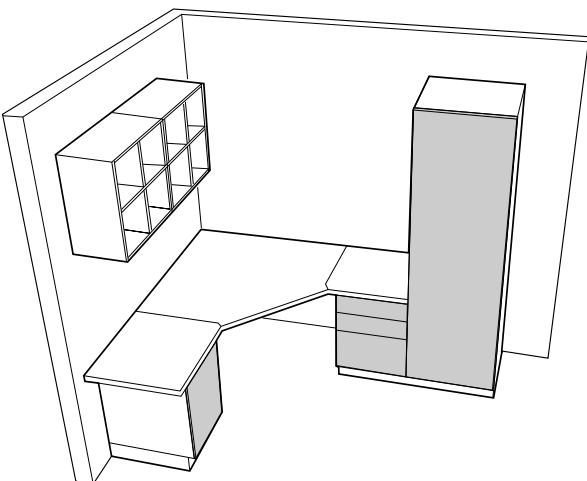
17

use the supplied drilling jig for handles as required



18

you've got it made



SmartPack
you've got it made...

SmartPack is a registered trademark of
ALSA MANUFACTURING P/L
82 Biloela St
Villawood NSW
Australia 2163

www.smartpackkit.com.au