

KITCHEN

SmartPack

you've got it made...

Thank you for choosing SmartPack.

For any further advice, comments or suggestions, please contact your local distributor.

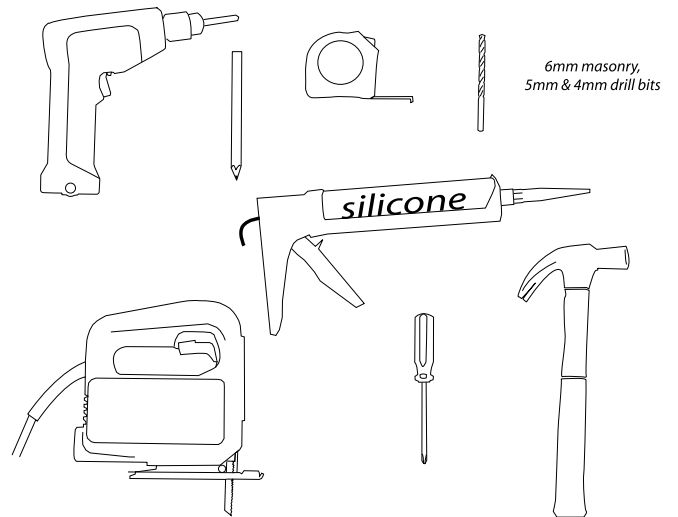
Individual unit assembly drawings and further information can be obtained from our web site

www.smartpackkit.com.au

We assure you that you will be as proud of the end product as we have been to supply it to you.

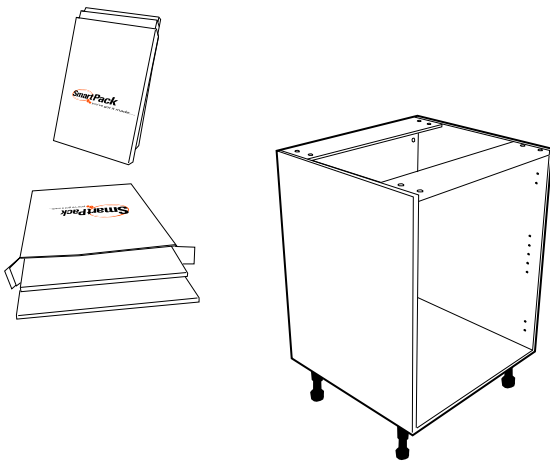
1

you will need the following...



2

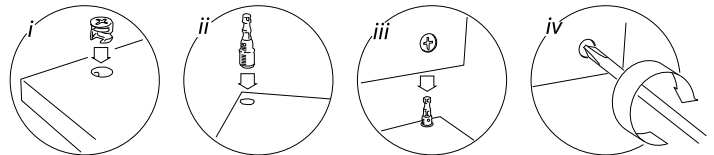
unpack and assemble units one at a time stacking them away from the immediate work area



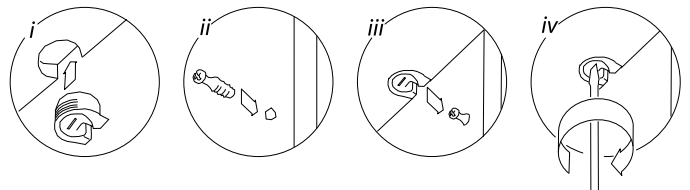
3

each unit will be assembled in the same manner

cam and dowel

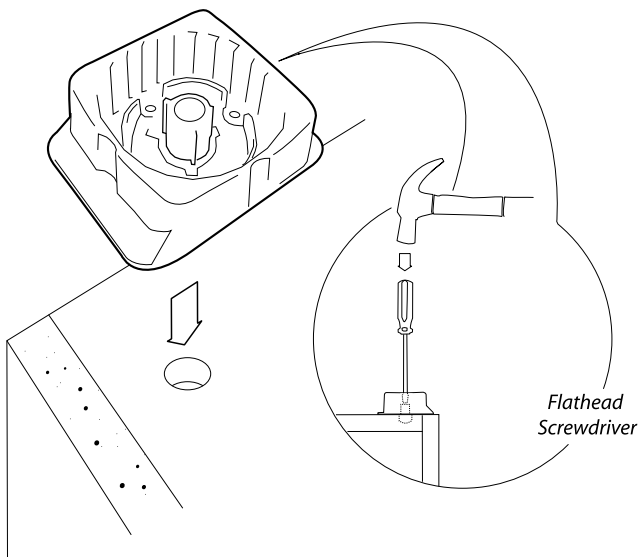


camfix



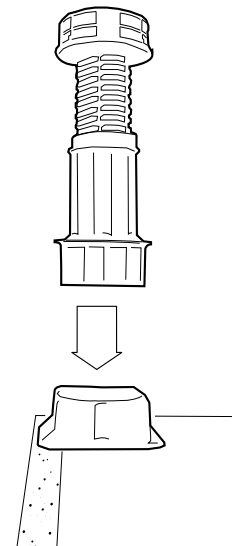
4

"knock" the rivet into the leg base

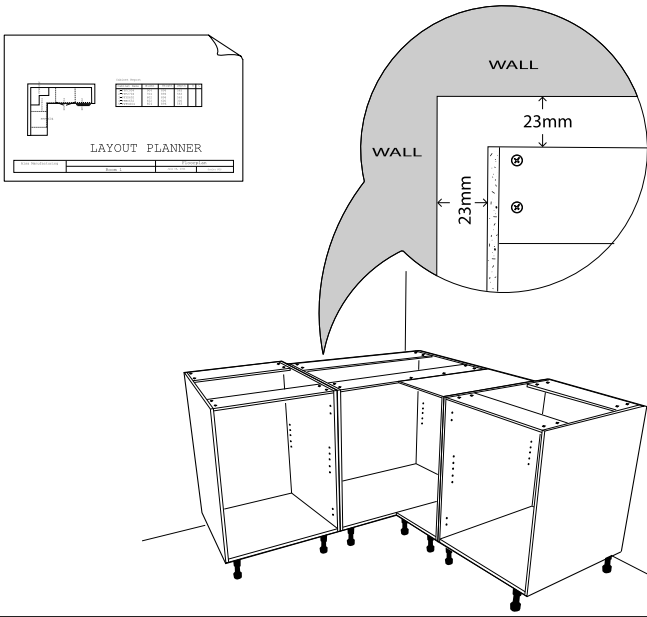


5

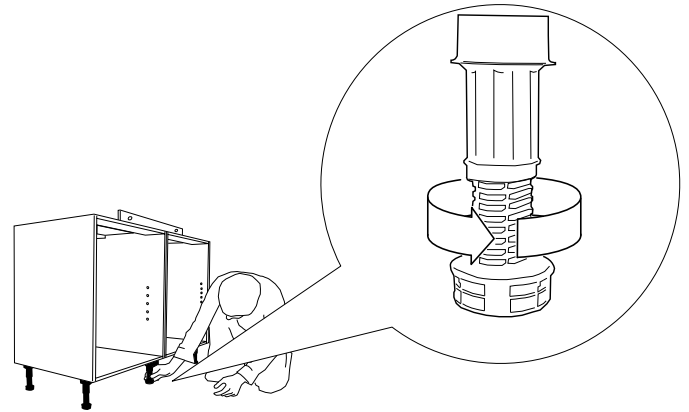
position leg



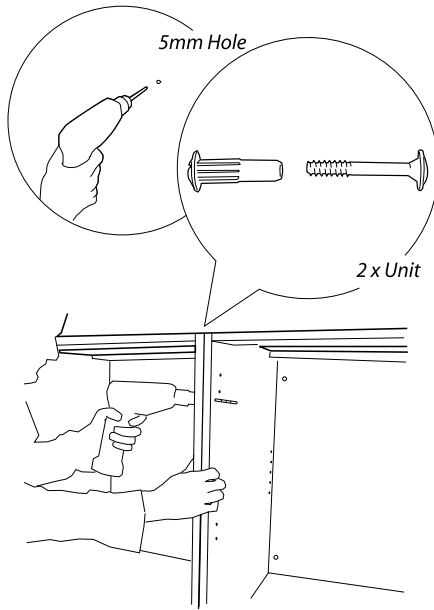
6 place units according to layout planner noting that corner floor and pantry units are to be 23mm of the wall



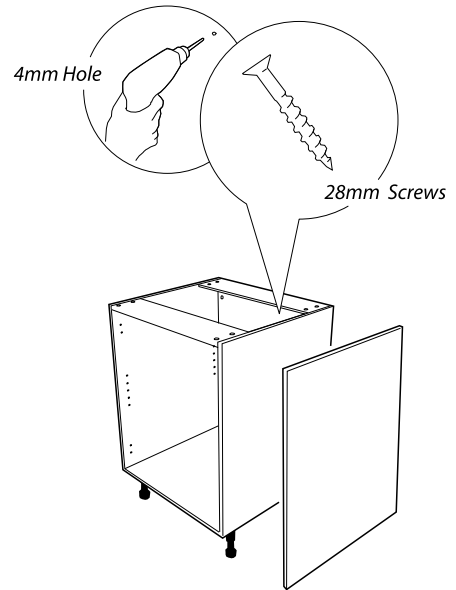
7 adjust legs using a level ensuring that the largest space between the floor and the bottom of the cupboards is no more than 140mm



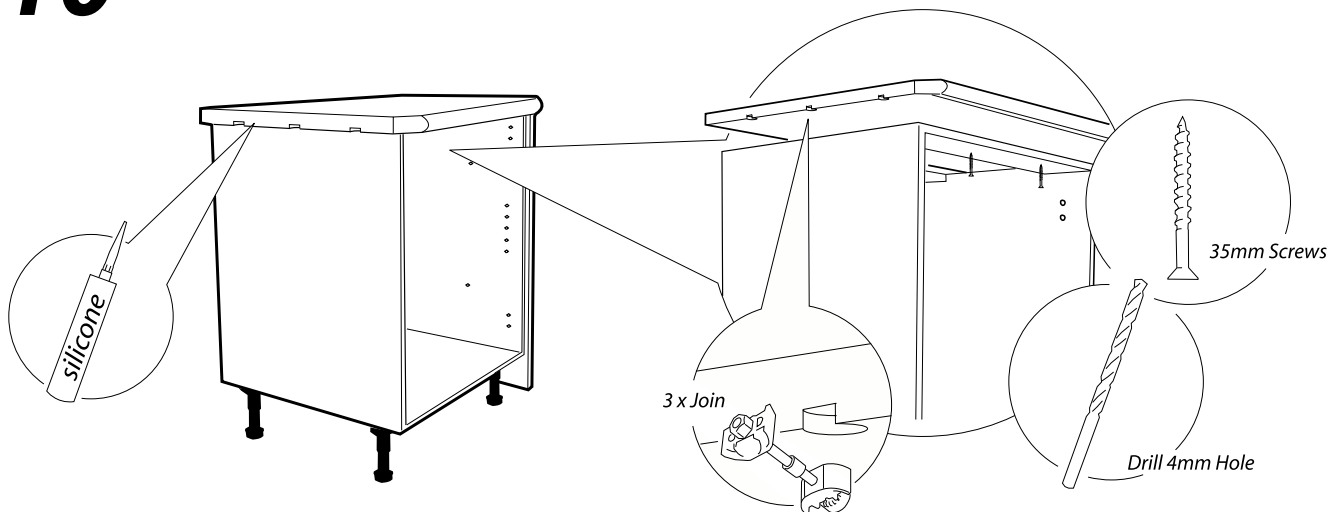
8 connect cabinets using the provided joiners



9 connect end panels from the inside of the cabinet

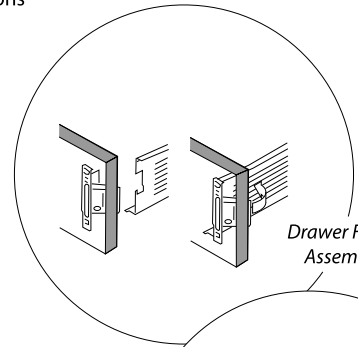
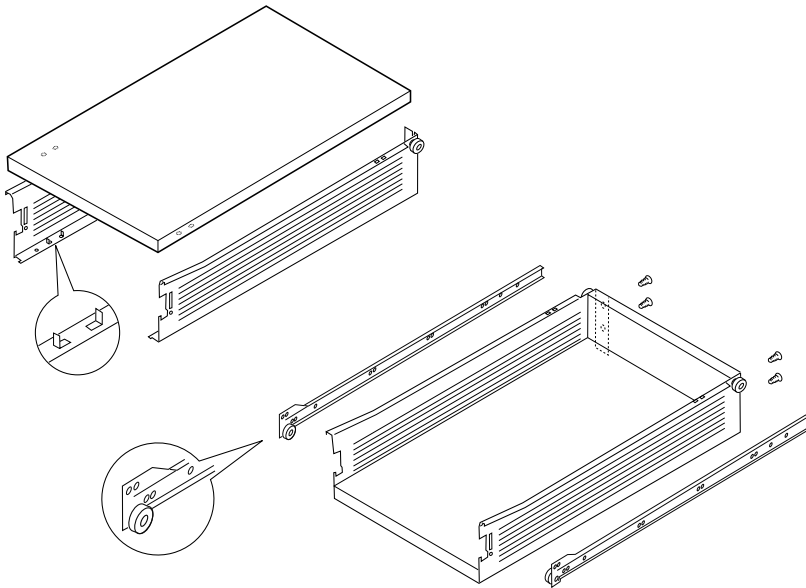


10 connect benchtop joins with provided joiners and silicone and fasten benchtop to the floor units

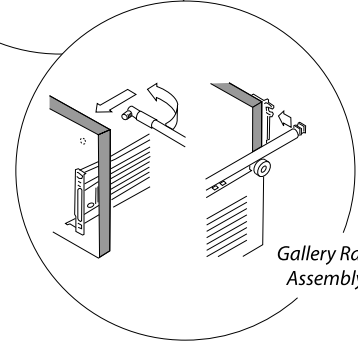


16

assemble metal sided drawers and fit drawer fronts to manufacturers instructions



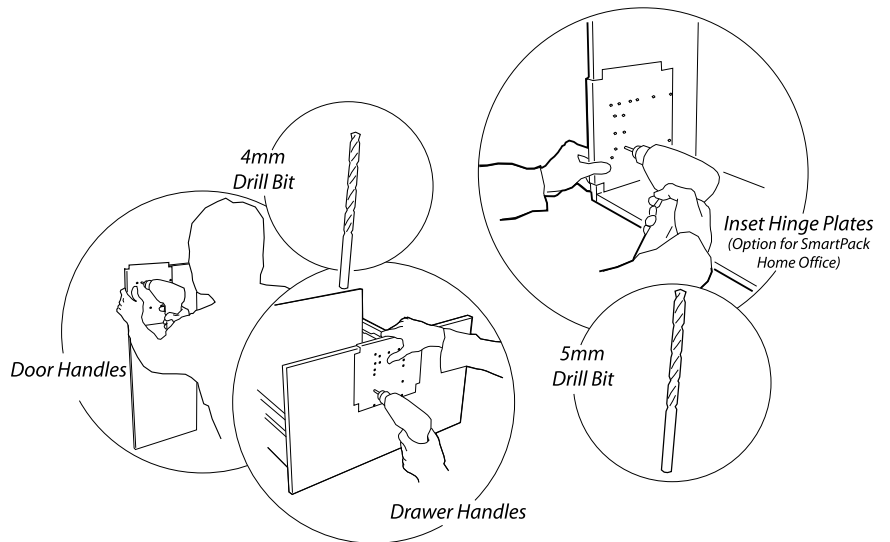
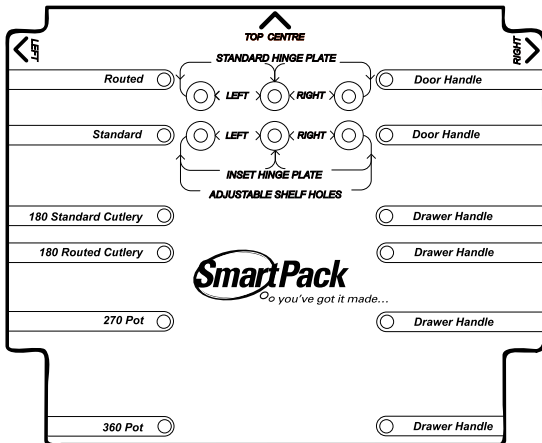
Drawer Front Assembly



Gallery Rail Assembly

17

use the supplied drilling jig for handles and inset hinge plates as required



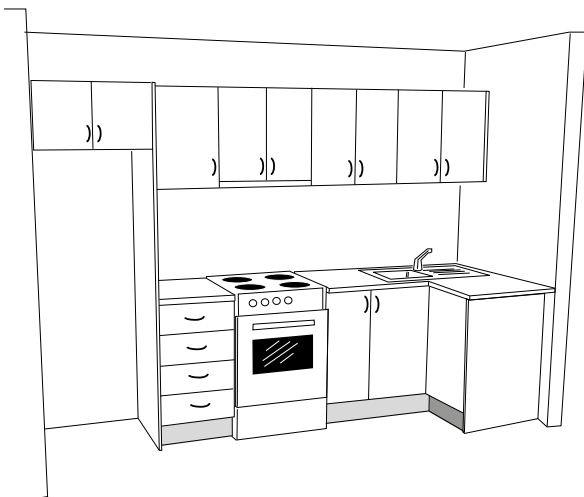
Door Handles

Drawer Handles

Inset Hinge Plates
(Option for SmartPack Home Office)

18

you've got it made



SmartPack
you've got it made...

SmartPack is a registered trademark of
ALSA MANUFACTURING P/L
82 Biloela St
Villawood NSW
Australia 2163

www.smartpackkit.com.au