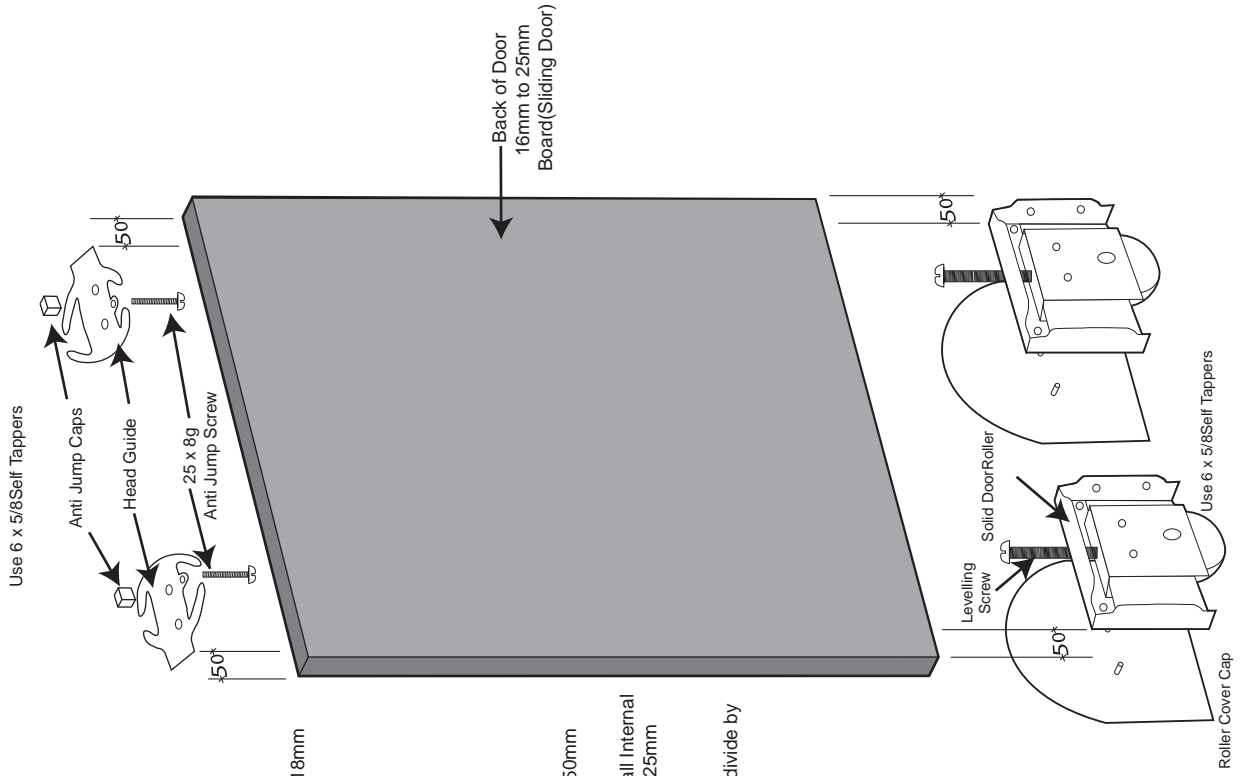


PANEL ASSEMBLY



NOTE:
 Cut Head Guide End
 when using 16mm or 18mm
 Panelboard for Door

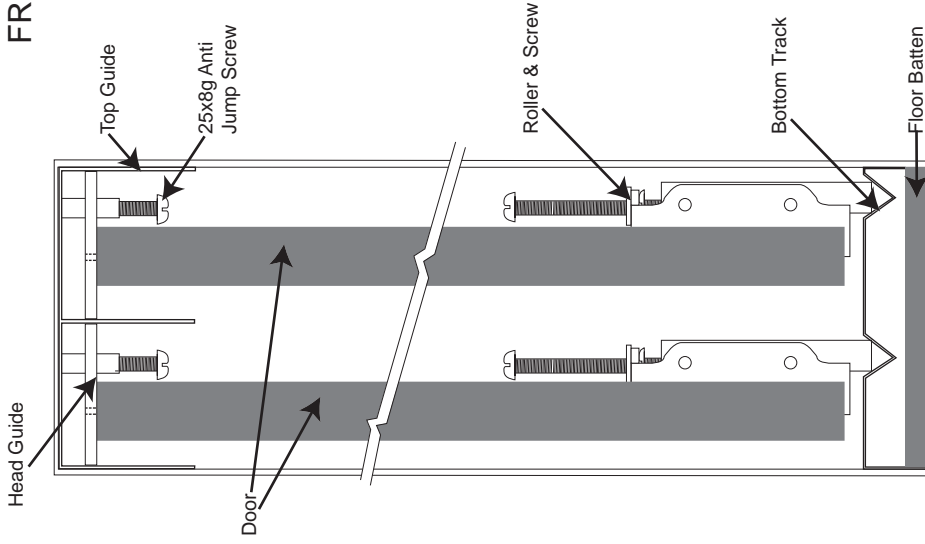


**TO CALCULATE
 DOOR SIZES**

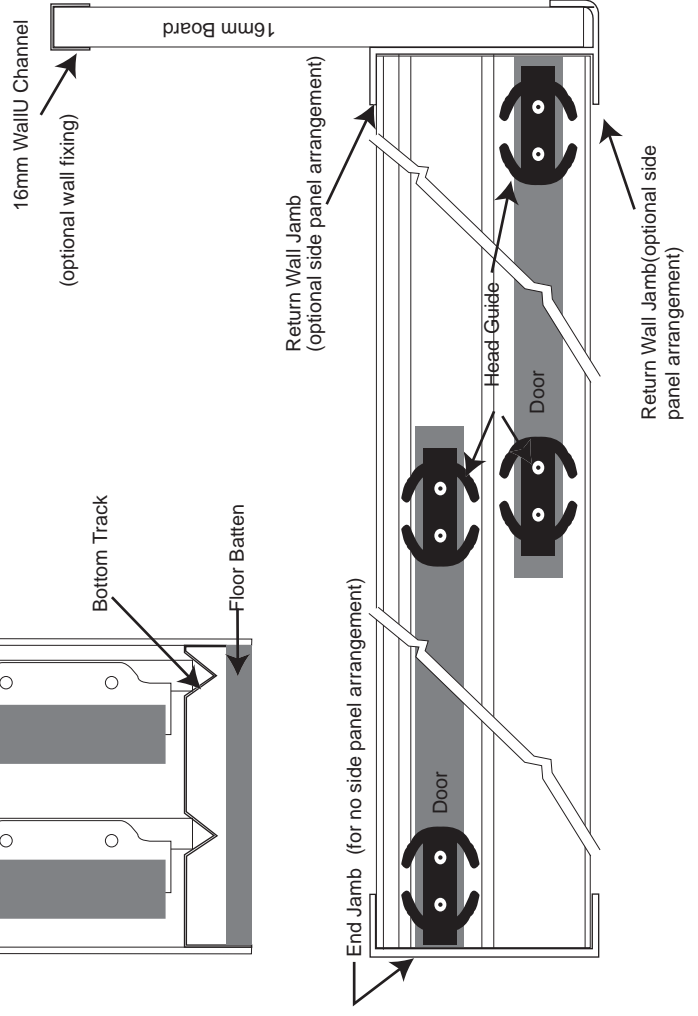
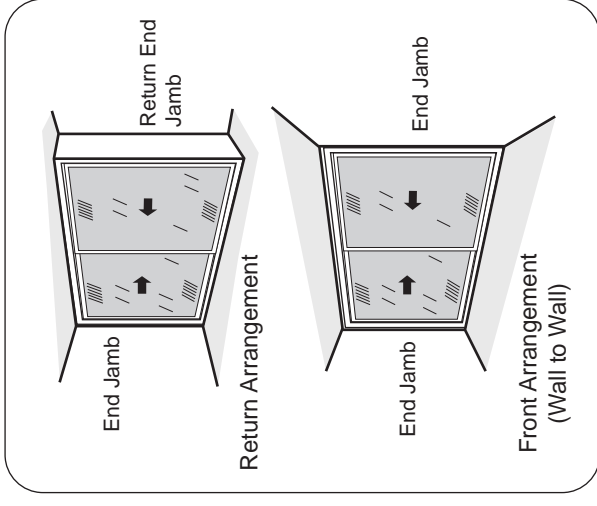
Door Height:
 Overall Height minus 50mm

2 Door Opening: Overall Internal
 width divide by 2 plus 25mm

3 Door Opening:
 Overall Internal width divide by
 3 plus 25mm



FRONT AND RETURN ARRANGEMENT



SmartPack

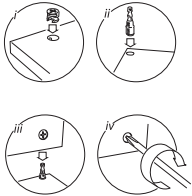
you've got it made...

Custom robe units will require the same tools and be assembled in the exact same manner as SmartPack units listed overleaf, with a few exceptions.

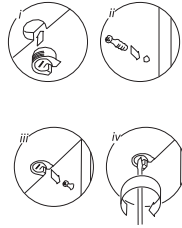
The following instructions will aid in the layout and assembly of the custom built units.

If you require any further assistance please contact your local distributor

cam and dowel (unit assembly)

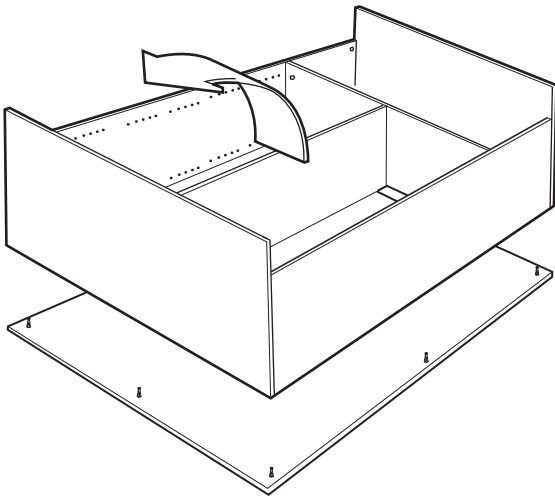


camfix (fixed shelves)



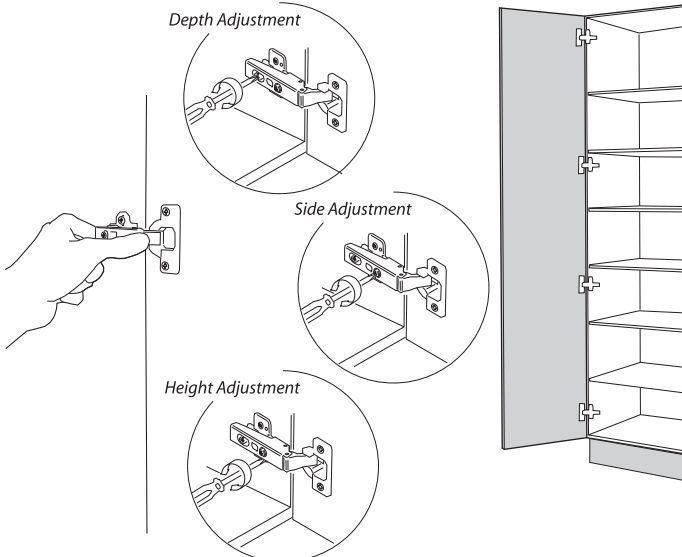
sliding doors

3 once units are assembled raise upright and position in desired location



hinged doors

3 hang doors and adjust hinges using the following methods

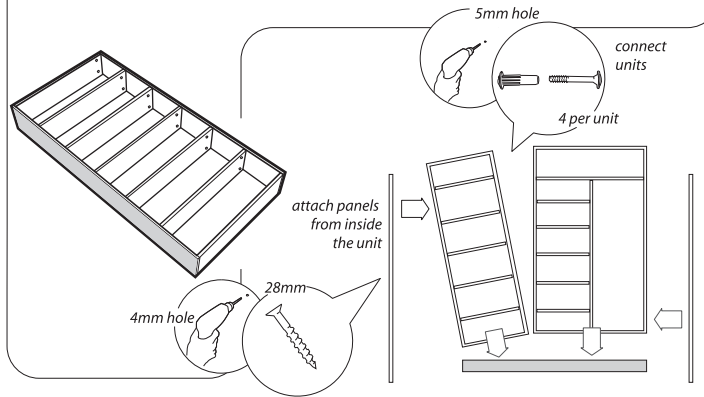


1

unpack and assemble units one at a time, on their back

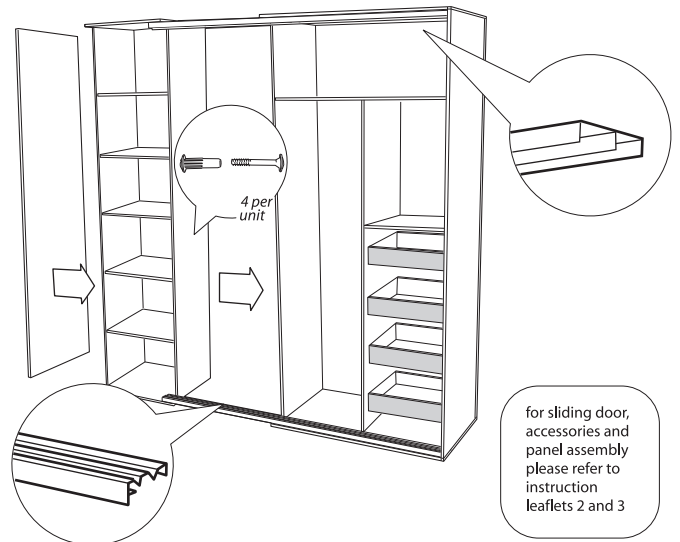
2

assemble plinth (as required), and position units and end panels as according to your layout planner



sliding doors

4 butt cabinets together- connecting units with cabinet joiners provided- and fix top and bottom track and end panels



hinged doors & sliding doors

4 assemble metal sided drawers, utilising the provided inner drawer kits (plastic front brackets) using spacers where necessary to avoid hinges on doors

